

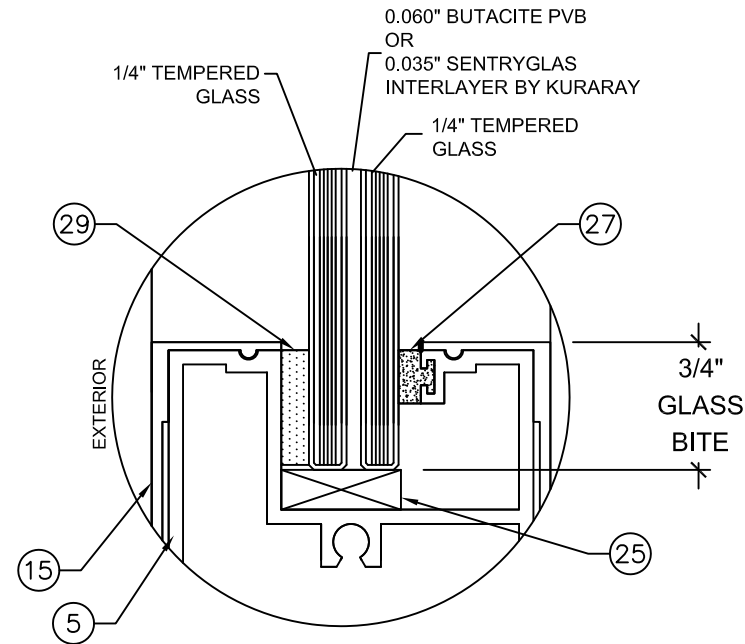
# CONTINENTAL GLASS SYSTEMS

## 2800 SERIES LIFT AND SLIDE GLASS DOOR (SMI)

PREPARED BY:



**BUILDING DROPS, INC.**  
 398 E. DANIA BEACH BLVD., STE. 338  
 DANIA BEACH, FL 33004  
 PH: (954)399-8478  
 FAX: (954)744.4738  
 WEB: www.buildingdrops.com



**GLASS TYPE "G1"**  
 9/16" LAMINATED GLASS

DESIGN PRESSURE RATING	
WITH REINFORCEMENT*	+150 / -150 PSF
WITHOUT REINFORCEMENT	+110 / -110 PSF

\*ALL VERTICAL MEMBERS MUST USE 6005-T5 ALUMINUM REINFORCING (ITEM NO. 18, PART NO. 2800-23), SEE SHEET 6 FOR DETAILS.

**GENERAL NOTES:**

- THE PRODUCT SHOWN HEREIN IS DESIGNED AND MANUFACTURED TO COMPLY WITH THE CURRENT FLORIDA BUILDING CODE (FBC), INCLUDING HVHZ AND HAS BEEN EVALUATED ACCORDING TO THE FOLLOWING:
  - TAS 201-94
  - TAS 202-94
  - TAS 203-94
- DOOR IS RATED FOR **SMALL MISSILE IMPACT ONLY**. IMPACT SHUTTERS ARE NOT REQUIRED FOR ELEVATIONS GREATER THAN 30'-0" ABOVE GRADE. IMPACT SHUTTERS ARE REQUIRED FOR ELEVATIONS LOWER THAN 30'-0" ABOVE GRADE.
- DOORS ARE APPROVED FOR AIR AND WATER INFILTRATION RESISTANCE.
- ANCHORING OR LOADING CONDITIONS NOT SHOWN IN THESE DETAILS ARE NOT PART OF THIS APPROVAL.
- MATERIALS INCLUDING BUT NOT LIMITED TO STEEL/METAL SCREWS THAT COME INTO CONTACT WITH OTHER DISSIMILAR MATERIALS SHALL MEET THE REQUIREMENTS OF THE FLORIDA BUILDING CODE.
- METAL STRUCTURES NOT BY CONTINENTAL GLASS SYSTEMS, LLC., SHALL BE DESIGNED TO SUPPORT THE LOADS IMPOSED BY THIS GLAZING SYSTEM AND TO TRANSFER SUCH LOADS TO THE MAIN BUILDING STRUCTURE.
- ULTIMATE LOAD OBTAINED FROM ASCE 7-10, MULTIPLIED BY 0.6, SHALL BE LESS THAN OR EQUAL TO MAX. DESIGN LOAD IN THIS DOCUMENT. THE DESIGN LOADS SHOWN IN THIS DOCUMENT ARE ALLOWABLE DESIGN LOADS.

**-SEALANTS:**

ALL FRAME CORNERS, JOINTS, MULLION SEAMS AND PERIMETER GLAZING BEAD TO FRAME INSTALLATION FASTENERS SEALED WITH SILICONE SEALANT.

**-TYPICAL ANCHORS: (SEE ELEVATIONS FOR SPACING)**

- TYPE 'A' -- 5/16" DIA. ULTRACON BY 'ELCO' (Fu=177 KSI, Fy=155 KSI) DIRECTLY INTO CONCRETE (MINIMUM COMPRESSIVE STRENGTH OF 3000 PSI). 1-3/4" MIN. EMBED IN CONCRETE INTO WOOD STRUCTURE (WOOD MIN. SPECIFIC GRAVITY = 0.55) 1-1/2" MIN. EMBEDMENT IN WOOD
- TYPE 'B' -- 5/16" DIA. SELF DRILLING SCREWS (GRADE 5 CRS) INTO MIAMI-DADE COUNTY APPROVED MULLIONS (1/8" THK. MIN.) INTO METAL STRUCTURES MIN. THREE THREADS PENETRATION BEYOND METAL WALL. STEEL: 18 GA. MIN. (Fy=33 KSI MIN.) ALUMINUM: 1/8" THK. MIN. (6063-T5 MIN.) (STEEL IN CONTACT WITH ALUMINUM TO BE PLATED OR PAINTED)

**TYPICAL EDGE DISTANCES**

- INTO CONCRETE = 2-1/2" MIN.
- INTO WOOD STRUCTURE = 1-1/4" MIN.(5/16" ANCHORS )
- INTO METAL STRUCTURE = 3/4" MIN.

**ANCHOR REQUIREMENTS**

1. THE NUMBER OF INSTALLATION ANCHORS DEPICTED IS THE MINIMUM NUMBER OF ANCHORS TO BE USED FOR PRODUCT INSTALLATION.
2. INSTALL INDIVIDUAL INSTALLATION ANCHORS WITHIN A TOLERANCE OF ±1/2 INCH OF THE DEPICTED LOCATION IN THE ANCHOR LAYOUT DETAIL (I.E., WITHOUT CONSIDERATION OF TOLERANCES). TOLERANCES ARE NOT CUMULATIVE FROM ONE INSTALLATION ANCHOR TO THE NEXT.
3. SHIM AS REQUIRED AT EACH INSTALLATION ANCHOR WITH LOAD BEARING SHIM(S). MAXIMUM ALLOWABLE SHIM STACK TO BE 1/2 INCH. SHIM WHERE SPACE OF 1/16 INCH OR GREATER OCCURS. SHIM(S) SHALL BE CONSTRUCTED OF HIGH DENSITY PLASTIC OR BETTER.
4. ANCHORS SHALL BE AS LISTED, AND SPACED AS SHOWN ON DETAILS. ANCHOR EMBEDMENT TO BASE MATERIAL SHALL BE BEYOND WALL DRESSING OR STUCCO. INSTALLATION ANCHORS SHALL BE INSTALLED IN ACCORDANCE WITH ANCHOR MANUFACTURER'S INSTALLATION INSTRUCTIONS

**NOTE:**

GLASS COMPLIES WITH ASTM E1300-09 (3 SEC. GUSTS).

**LIMITATIONS OF USE**

- A- THIS PRODUCT EVALUATION DOCUMENT (P.E.D.) PREPARED BY THIS ENGINEER IS GENERIC AND DOES NOT PROVIDE INFORMATION FOR A SITE SPECIFIC PROJECT; I.E. WHERE THE SITE CONDITIONS DEVIATE FROM THE P.E.D.
- B- CONTRACTOR TO BE RESPONSIBLE FOR THE SELECTION, PURCHASE AND INSTALLATION OF THIS PRODUCT BASED ON THIS PRODUCT EVALUATION PROVIDED HE/SHE DOES NOT DEVIATE FROM THE CONDITIONS DETAILED ON THIS DOCUMENT.
- C- THIS PRODUCT EVALUATION DOCUMENT WILL BE CONSIDERED INVALID IF ALTERED BY ANY MEANS.
- D- SITE SPECIFIC PROJECTS SHALL BE PREPARED BY A FLORIDA REGISTERED ENGINEER OR ARCHITECT WHICH WILL BECOME THE ENGINEER OF RECORD (E.O.R.) FOR THE PROJECT AND WHO WILL BE RESPONSIBLE FOR THE PROPER USE OF THE P.E.D.
- E- THIS P.E.D. SHALL BEAR THE DATE AND ORIGINAL SEAL AND SIGNATURE OF THE PROFESSIONAL ENGINEER OF RECORD THAT PREPARED IT.

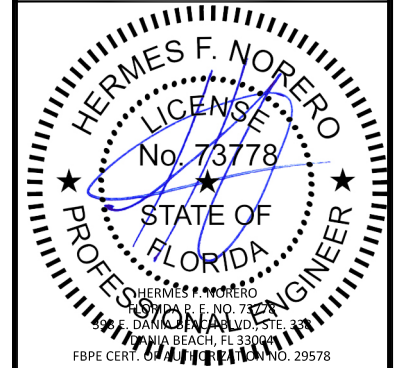
TITLE: **SERIES 2800 LIFT AND SLIDE GLASS DOOR (SMI)**  
 GENERAL NOTES AND GLAZING DETAIL

325 WEST 74 PLACE,  
 HIALEAH, FL 33014  
 PH: (305)231-1101  
 FAX: (305)231-1103



REMARKS	BY	DATE

THIS DOCUMENT IS THE PROPERTY OF BUILDING DROPS, INC. AND SHALL NOT BE REPRODUCED IN WHOLE OR PART WITHOUT WRITTEN CONSENT OF BUILDING DROPS, INC. ALTERATIONS, ADDITIONS, HIGHLIGHTING, OR OTHER MARKINGS TO THIS DOCUMENT ARE NOT PERMITTED AND INVALIDATE OUR CERTIFICATION.



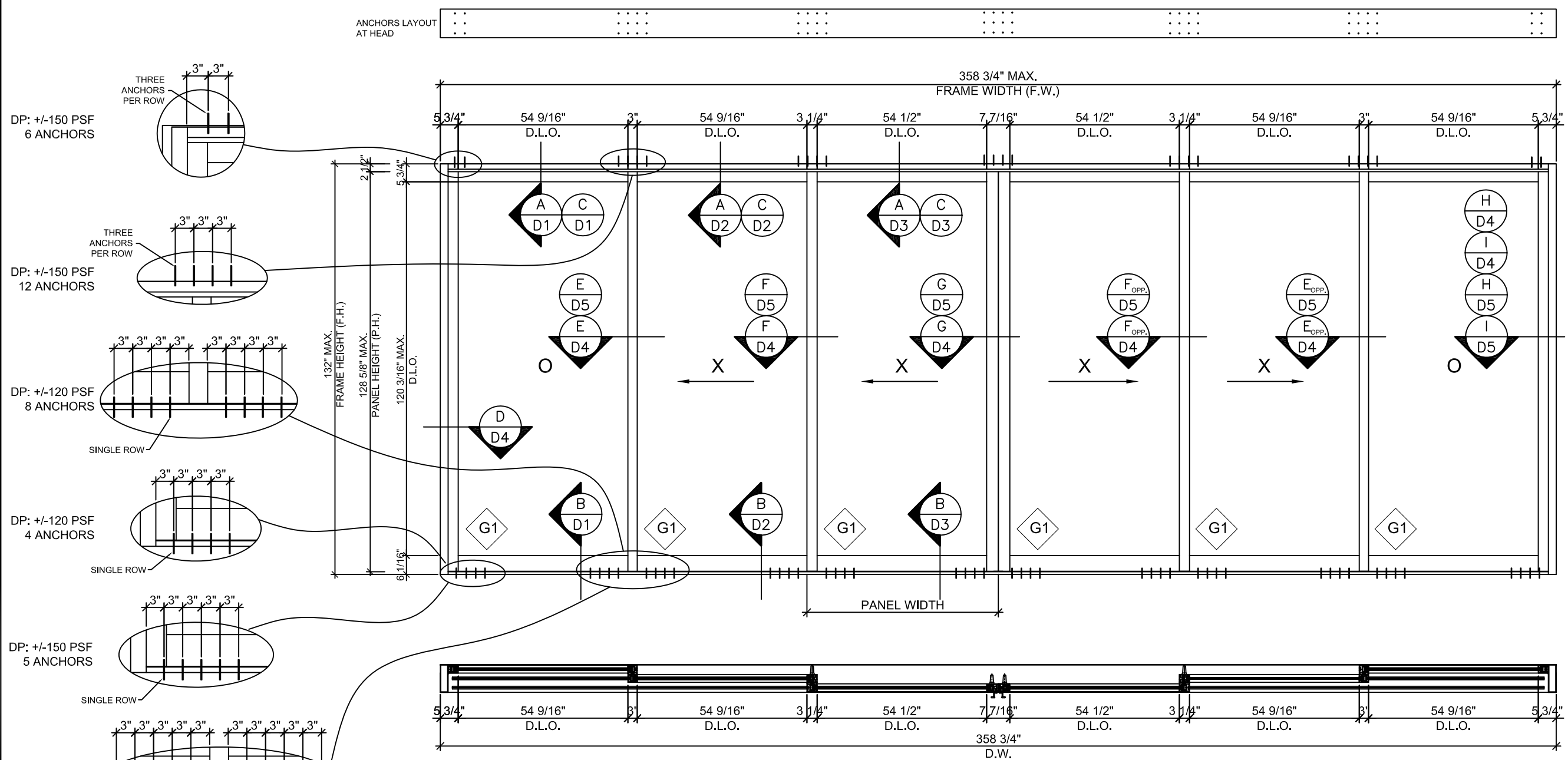
DATE: **02.12.16**

DWG. BY: **SM**      CHK. BY: **HFN**

SCALE: **NTS**

DWG. #: **CGS121**


SHEET: **1** OF 11



**TYPICAL EXTERIOR ELEVATION (OXXXXO)**

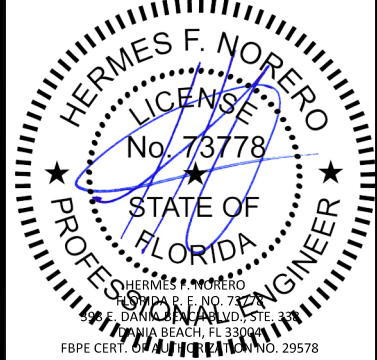
DAYLITE OPENING DIMENSIONS:  
 JAMB - INTERLOCK = PANEL WIDTH - 6.25"  
 INTERLOCK - INTERLOCK = PANEL WIDTH - 6.25"  
 MEETING STILE - INTERLOCK = PANEL WIDTH - 6.75"  
  
 DAYLITE OPENING HEIGHT: PANEL HEIGHT - 8.4375"  
 PANEL HEIGHT = FRAME HEIGHT - 3.375"

**ANCHOR QUANTITY NOTES:**  
**HEAD:**  
 AS-TESTED ANCHOR LAYOUT SHOWN ABOVE IS QUALIFIED FOR +/-150 PSF DESIGN PRESSURE.  
**SILL:**  
 AS-TESTED ANCHOR LAYOUT IS QUALIFIED FOR +/-120 PSF. AN ADDITIONAL ANCHOR IS REQUIRED AT JAMBS AND AN ADDITIONAL TWO ANCHORS ARE REQUIRED AT INTERMEDIATE CLUSTERS FOR +/-150 DESIGN PRESSURE AS SHOWN IN DETAILS ABOVE.

TITLE: **SERIES 2800 LIFT AND SLIDE GLASS DOOR (SMI)**  
 ELEVATIONS & ANCHOR LAYOUTS  
 325 WEST 74 PLACE,  
 HIALEAH, FL 33014  
 PH: (305)231-1101  
 FAX: (305)231-1103  


REMARKS	BY	DATE

THIS DOCUMENT IS THE PROPERTY OF BUILDING DROPS, INC. AND SHALL NOT BE REPRODUCED IN WHOLE OR PART WITHOUT WRITTEN CONSENT OF BUILDING DROPS, INC. ALTERATIONS, ADDITIONS, HIGHLIGHTING, OR OTHER MARKINGS TO THIS DOCUMENT ARE NOT PERMITTED AND INVALIDATE OUR CERTIFICATION.



DATE: <b>02.12.16</b>
DWG. BY: <b>SM</b> CHK. BY: <b>HFN</b>
SCALE: <b>NTS</b>
DWG. #: <b>CGS121</b>
SHEET: <b>2</b> OF 11

PREPARED BY:



**BUILDING DROPS, INC.**

398 E. DANIA BEACH BLVD., STE. 338  
 DANIA BEACH, FL 33004  
 PH: (954)399-8478  
 FAX: (954)744.4738  
 WEB: www.buildingdrops.com

TITLE: SERIES 2800 LIFT AND SLIDE GLASS DOOR (SMI)

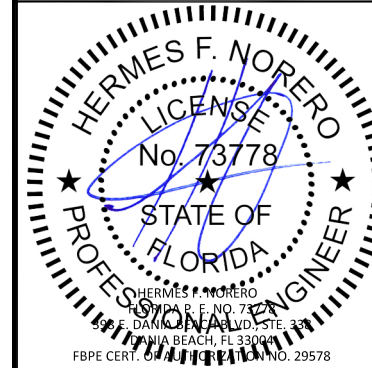
VERTICAL SECTIONS

325 WEST 74 PLACE,  
 HIALEAH, FL 33014  
 PH: (305)231-1101  
 FAX: (305)231-1103



REMARKS	BY	DATE

THIS DOCUMENT IS THE PROPERTY OF BUILDING DROPS, INC. AND SHALL NOT BE REPRODUCED IN WHOLE OR PART WITHOUT WRITTEN CONSENT OF BUILDING DROPS, INC. ALTERATIONS, ADDITIONS, HIGHLIGHTING, OR OTHER MARKINGS TO THIS DOCUMENT ARE NOT PERMITTED AND INVALIDATE OUR CERTIFICATION.



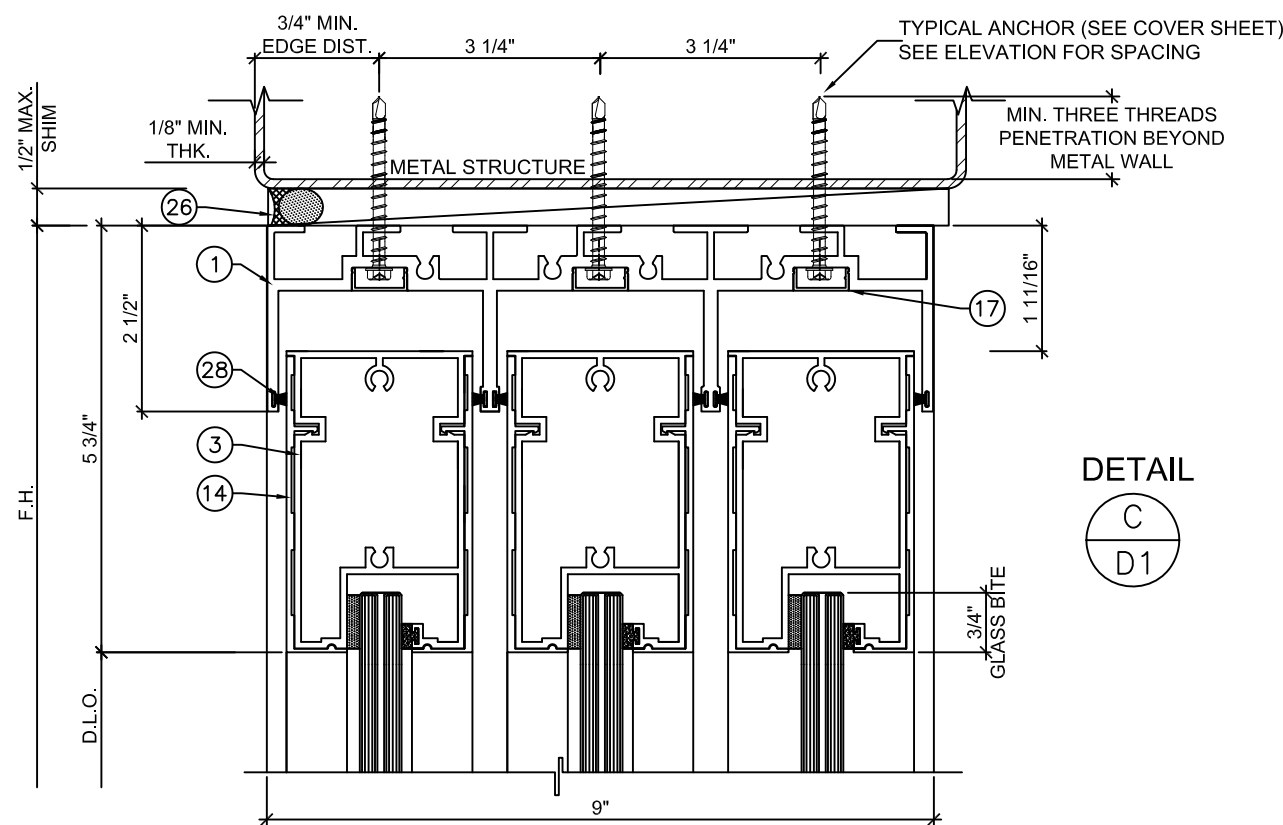
DATE: 02.12.16

DWG. BY: SM      CHK. BY: HFN

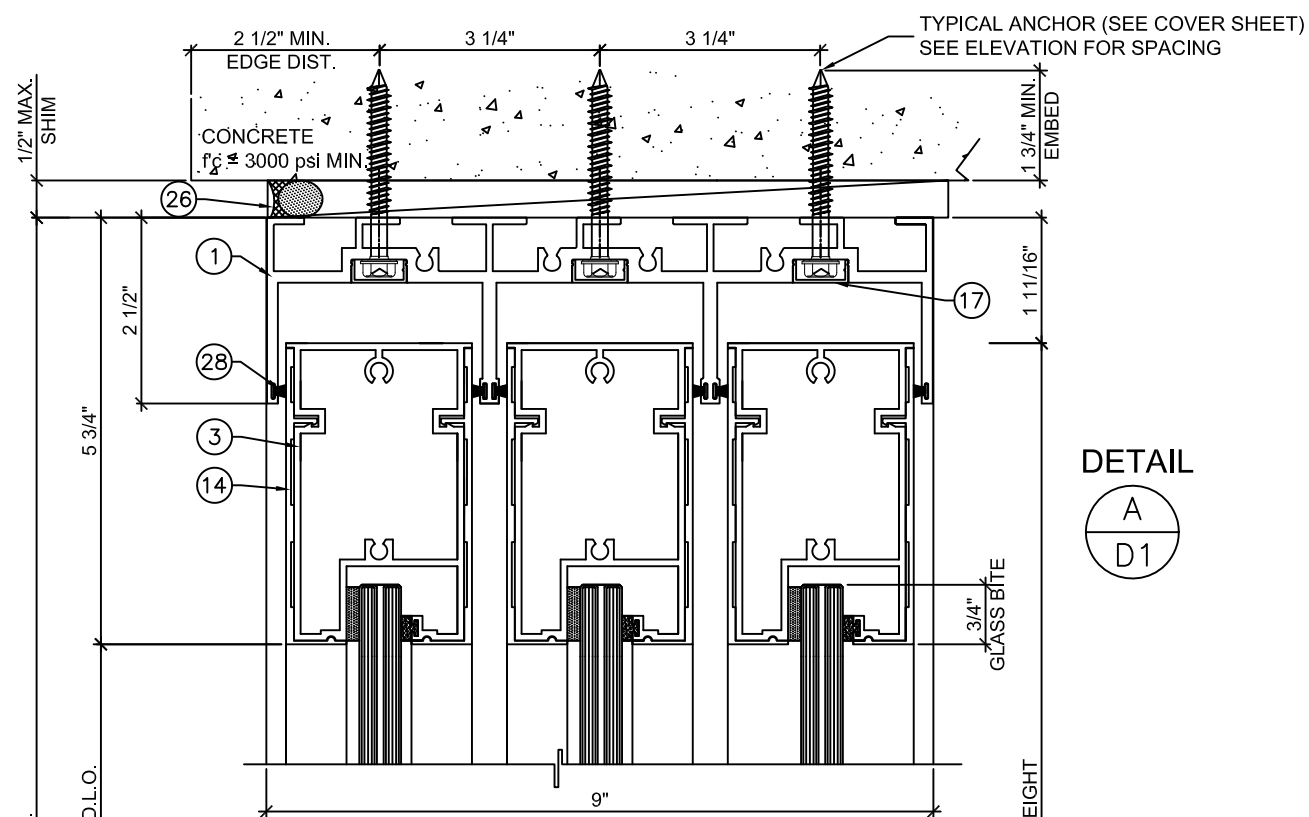
SCALE: NTS

DWG. #: CGS121

SHEET: OF 11



DETAIL C/D1

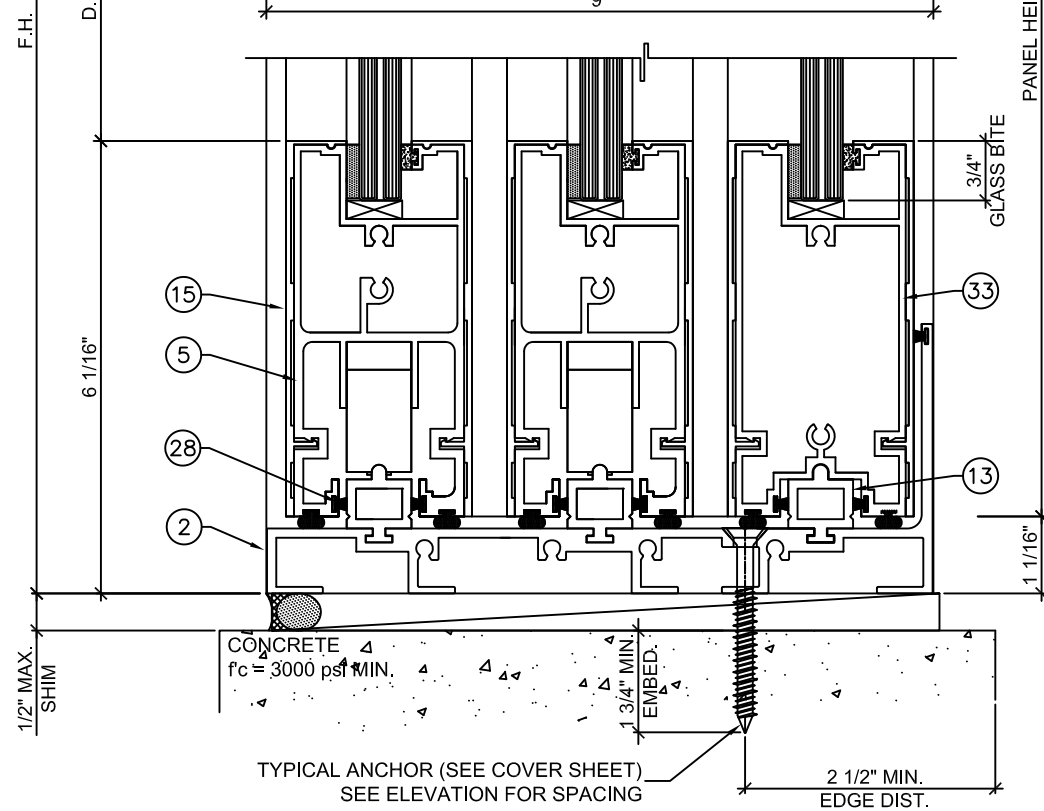


DETAIL A/D1



DETAIL B/D1

EXTERIOR




TYPICAL ANCHOR (SEE COVER SHEET) SEE ELEVATION FOR SPACING

2 1/2" MIN. EDGE DIST.

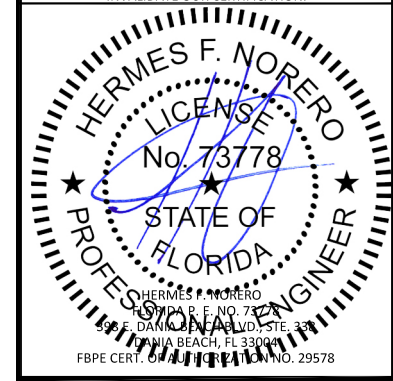
TITLE: **SERIES 2800 LIFT AND SLIDE GLASS DOOR (SMI)**  
 VERTICAL SECTIONS

325 WEST 74 PLACE,  
 HIALEAH, FL 33014  
 PH: (305)231-1101  
 FAX: (305)231-1103



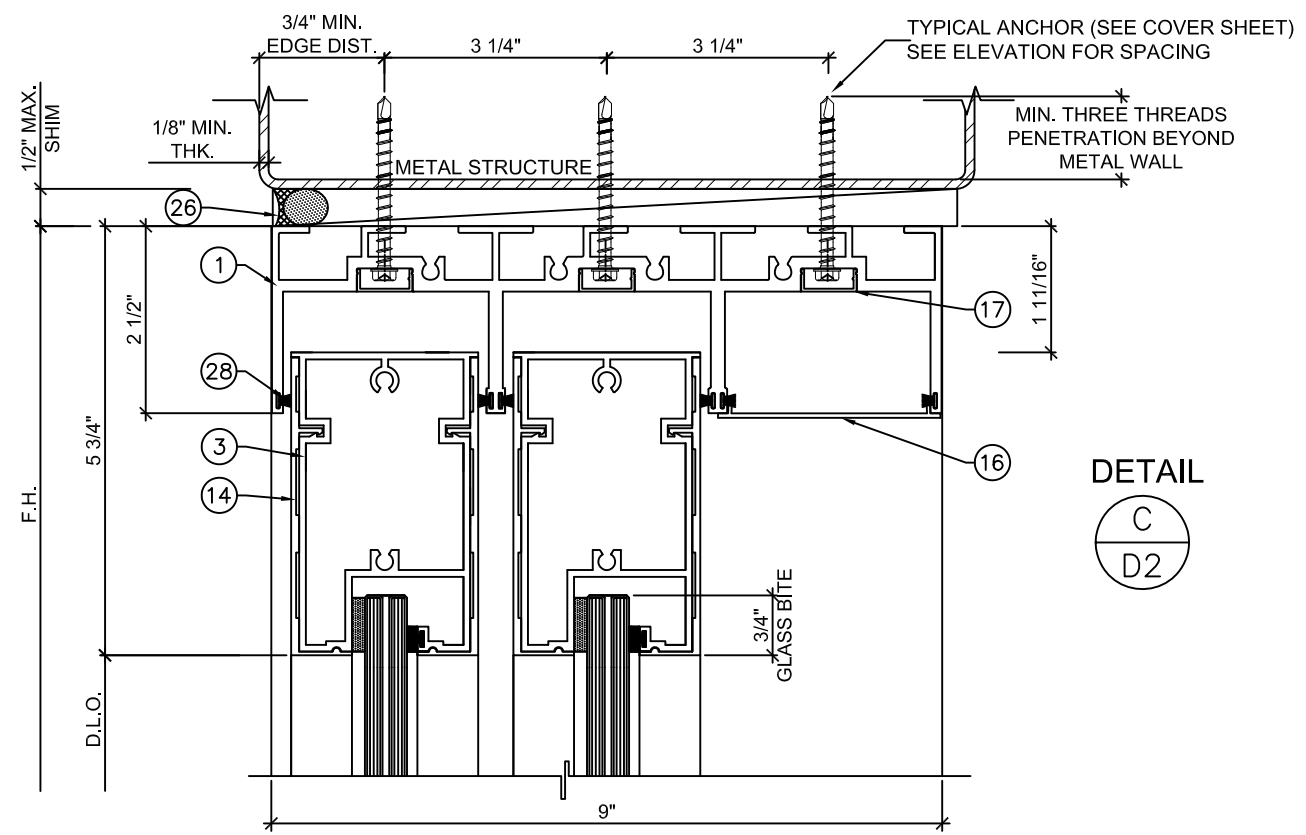
REMARKS	BY	DATE

THIS DOCUMENT IS THE PROPERTY OF BUILDING DROPS, INC. AND SHALL NOT BE REPRODUCED IN WHOLE OR PART WITHOUT WRITTEN CONSENT OF BUILDING DROPS, INC. ALTERATIONS, ADDITIONS, HIGHLIGHTING, OR OTHER MARKINGS TO THIS DOCUMENT ARE NOT PERMITTED AND INVALIDATE OUR CERTIFICATION.

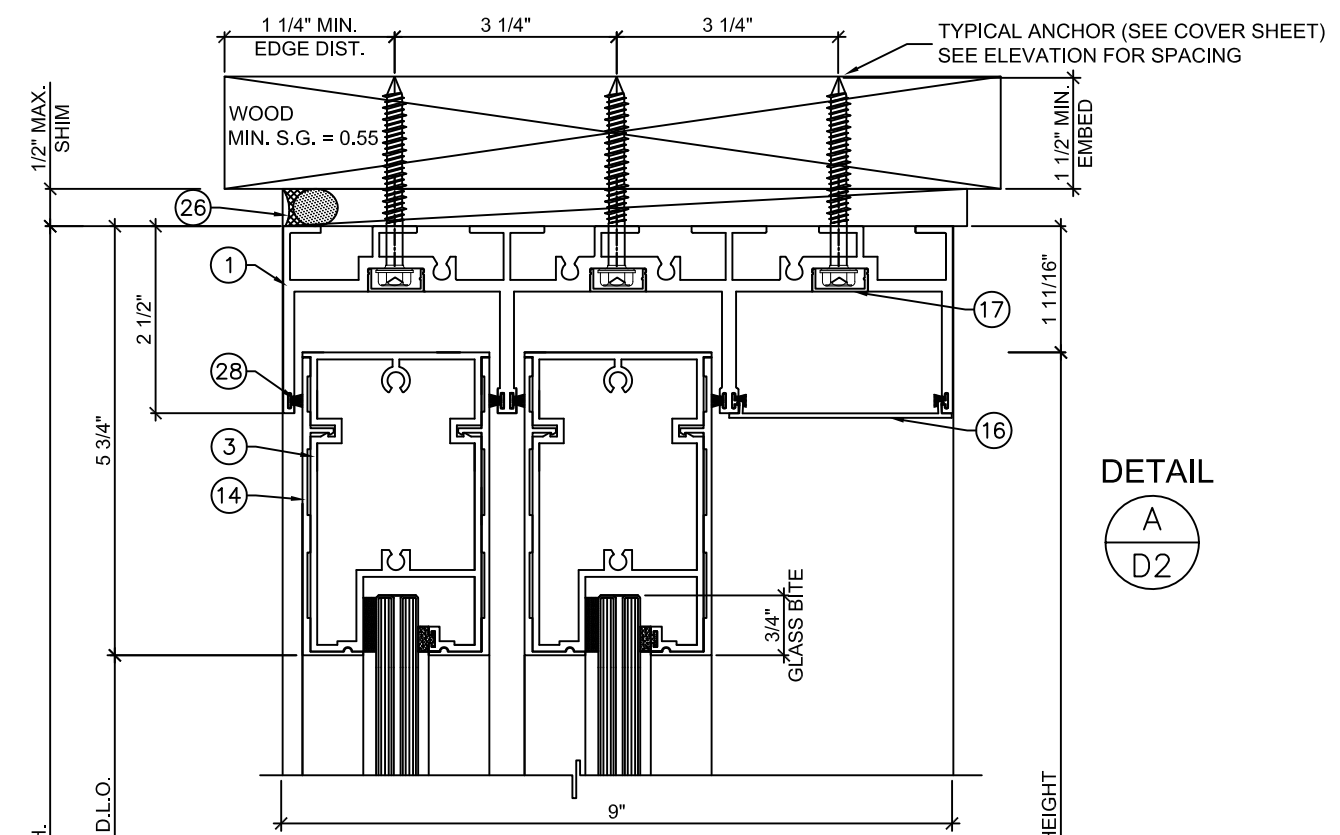


HERMES F. NORERO  
 LICENSED PROFESSIONAL ENGINEER  
 398 E. DANIA BEACH BLVD., STE. 338  
 DANIA BEACH, FL 33004  
 FBPE CERT. NO. 29578

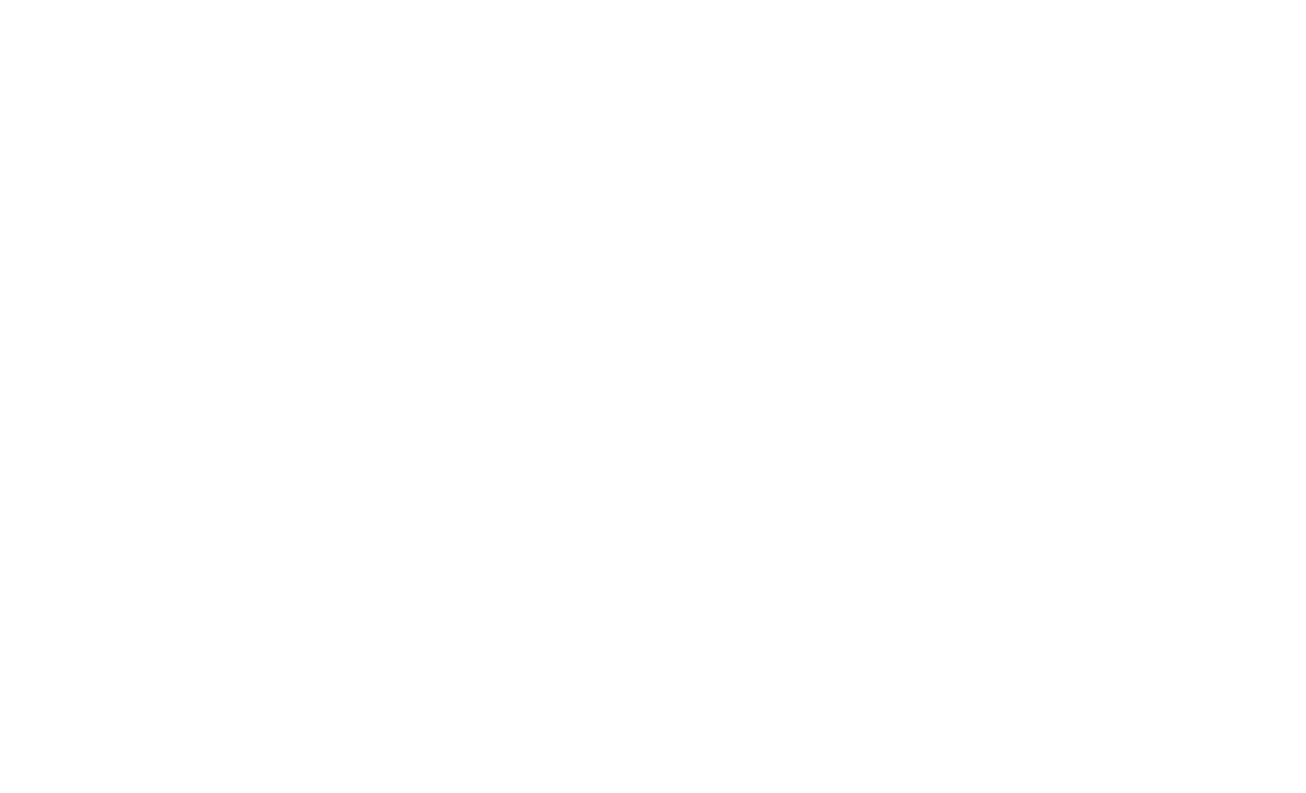
DATE: **02.12.16**  
 DWG. BY: **SM**      CHK. BY: **HFN**  
 SCALE: **NTS**  
 DWG. #: **CGS121**  
 SHEET:                      OF 11



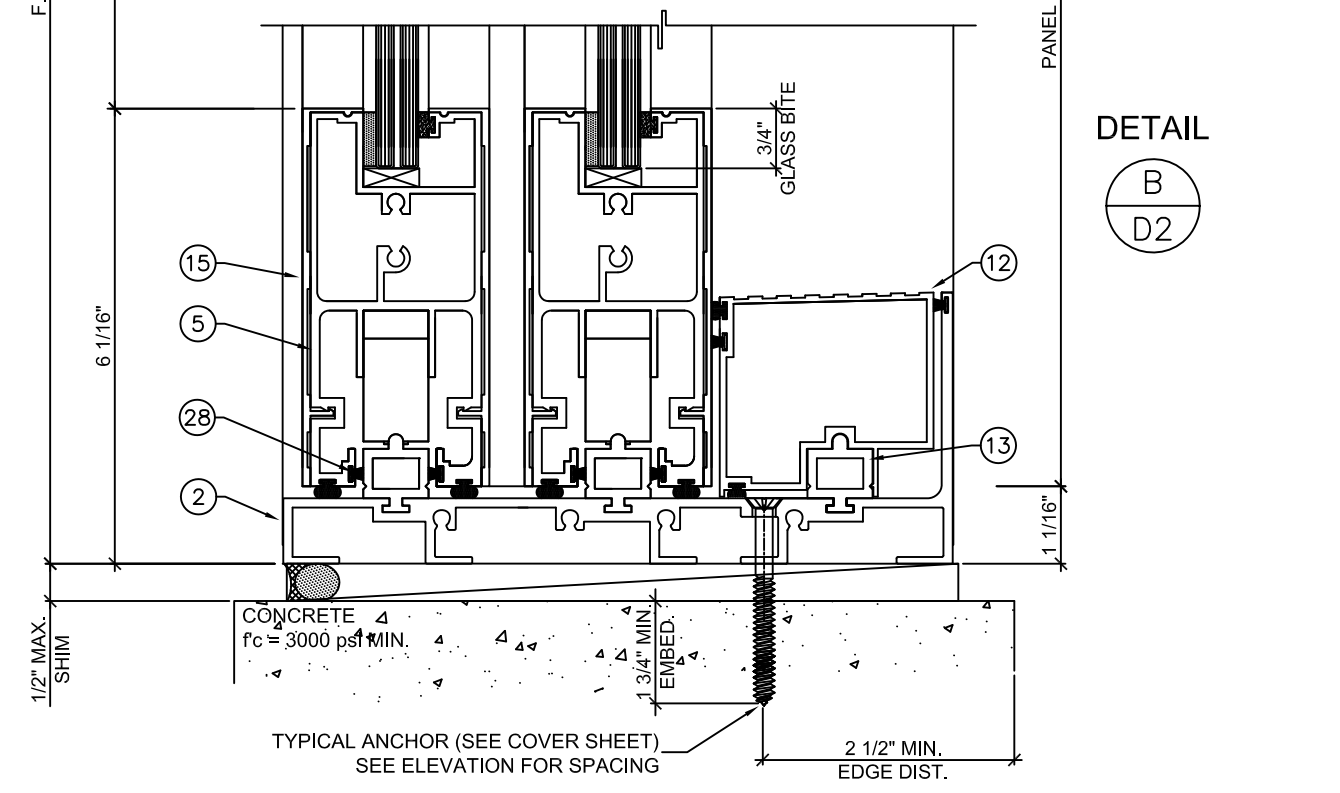
DETAIL  
 C  
 D2



DETAIL  
 A  
 D2



DETAIL  
 B  
 D2



DETAIL  
 D  
 D2

EXTERIOR

PANEL HEIGHT

1/2" MAX. SHIM

F.H.

D.L.O.

1/2" MAX. SHIM

F.H.

D.L.O.

PREPARED BY:



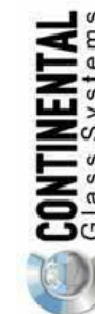
**BUILDING DROPS, INC.**

398 E. DANIA BEACH BLVD., STE. 338  
 DANIA BEACH, FL 33004  
 PH: (954)399-8478  
 FAX: (954)744-4738  
 WEB: www.buildingdrops.com

TITLE: SERIES 2800 LIFT AND SLIDE GLASS DOOR (SMI)

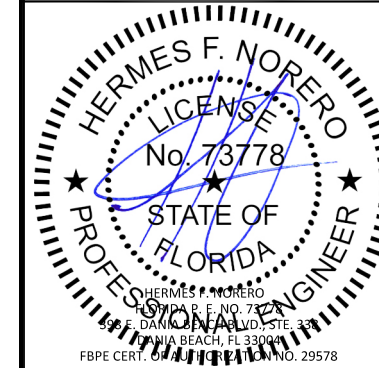
VERTICAL SECTIONS

325 WEST 74 PLACE,  
 HIALEAH, FL 33014  
 PH: (305)231-1101  
 FAX: (305)231-1103



REMARKS	BY	DATE

THIS DOCUMENT IS THE PROPERTY OF BUILDING DROPS, INC. AND SHALL NOT BE REPRODUCED IN WHOLE OR PART WITHOUT WRITTEN CONSENT OF BUILDING DROPS, INC. ALTERATIONS, ADDITIONS, HIGHLIGHTING, OR OTHER MARKINGS TO THIS DOCUMENT ARE NOT PERMITTED AND INVALIDATE OUR CERTIFICATION.



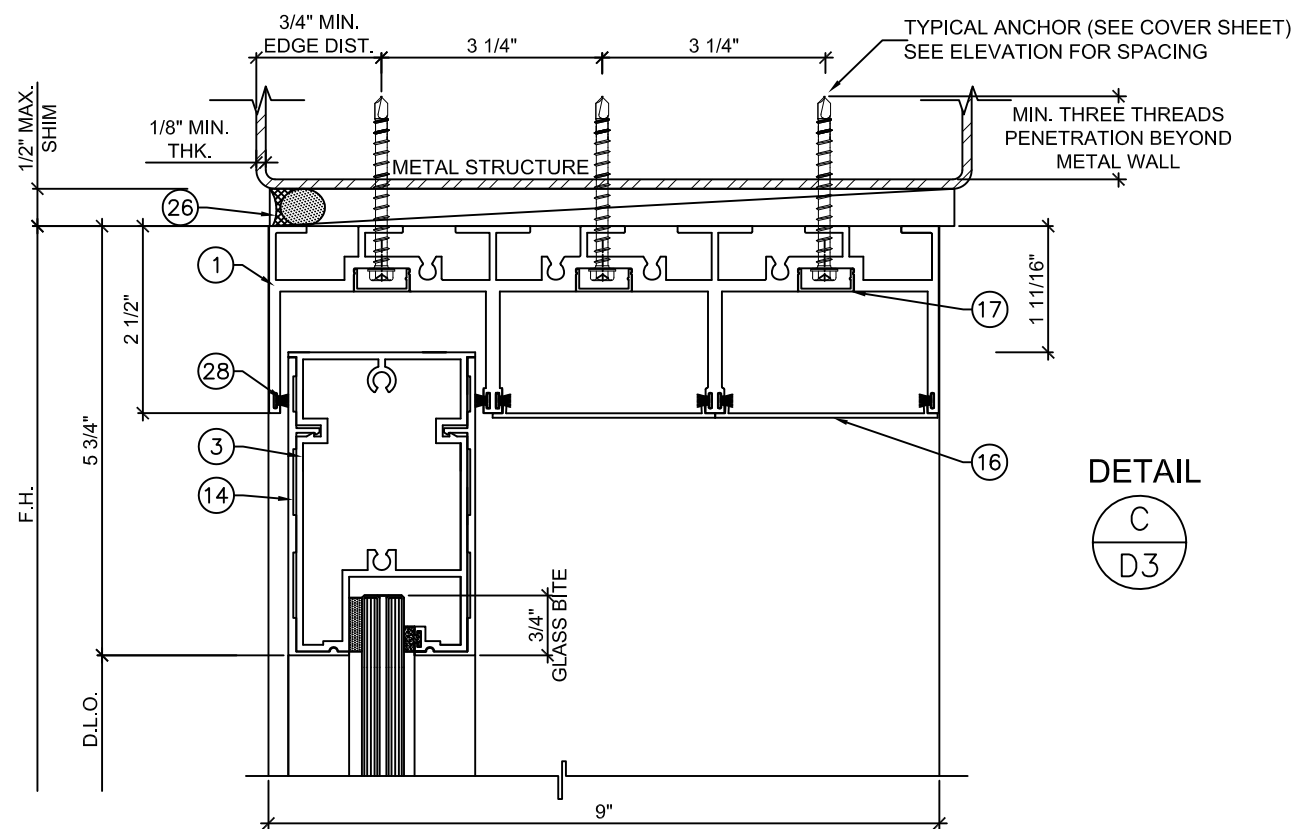
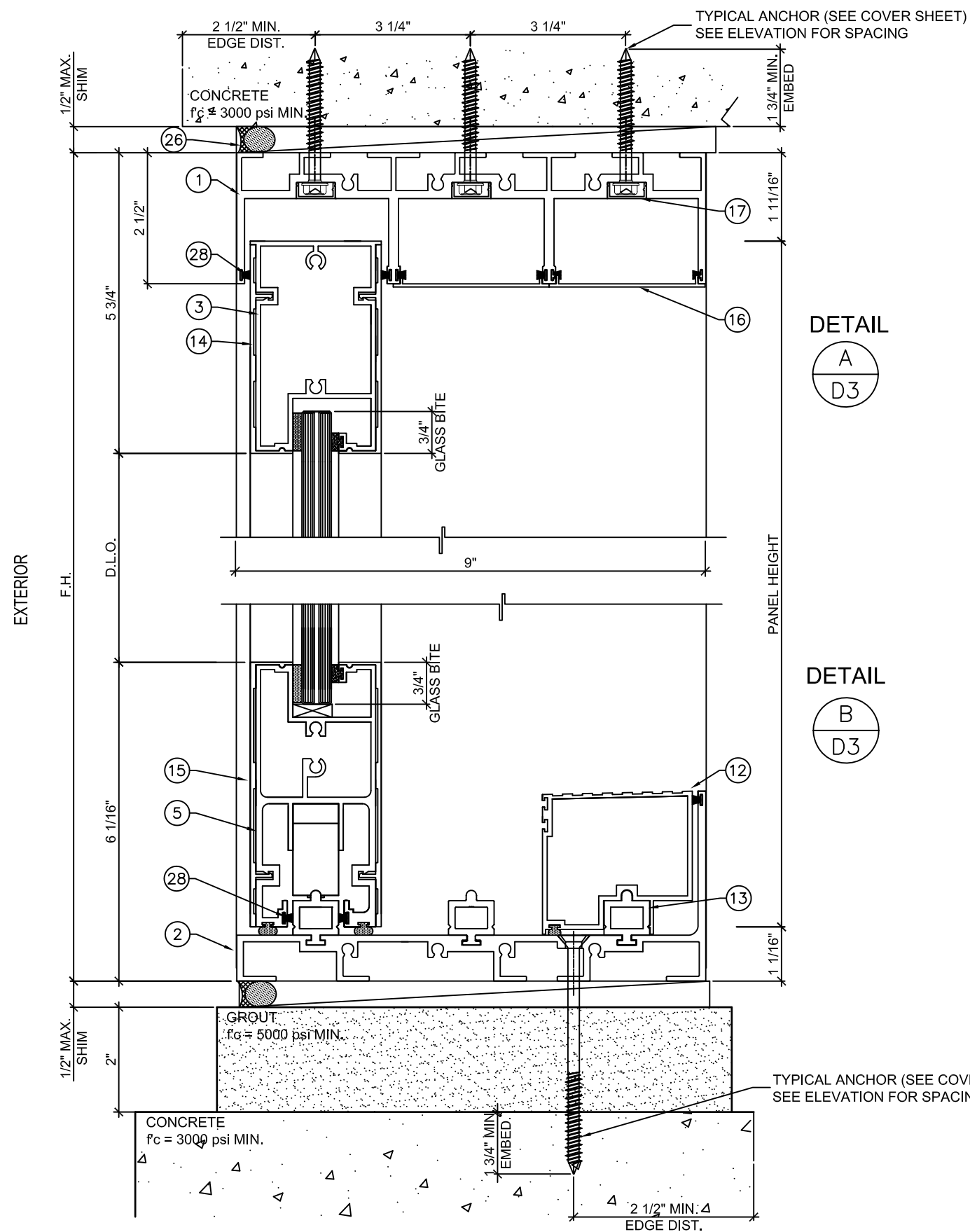
DATE: 02.12.16

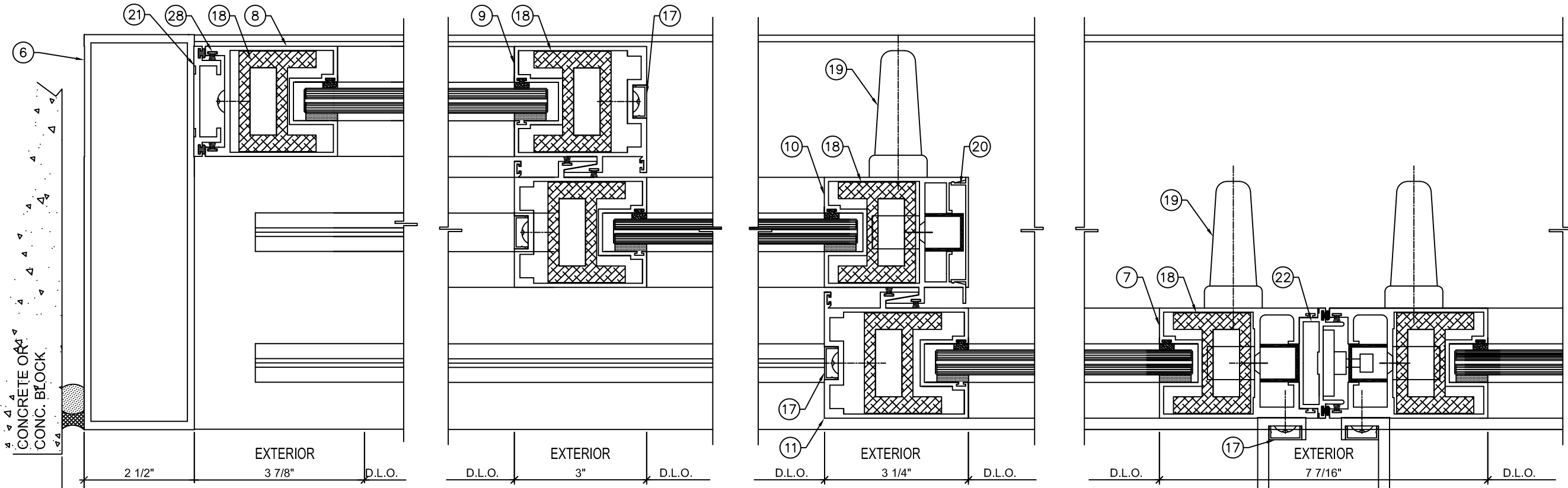
DWG. BY: SM      CHK. BY: HFN

SCALE: NTS

DWG. #: CGS121

SHEET: OF 11





DETAIL  $\frac{D}{D4}$

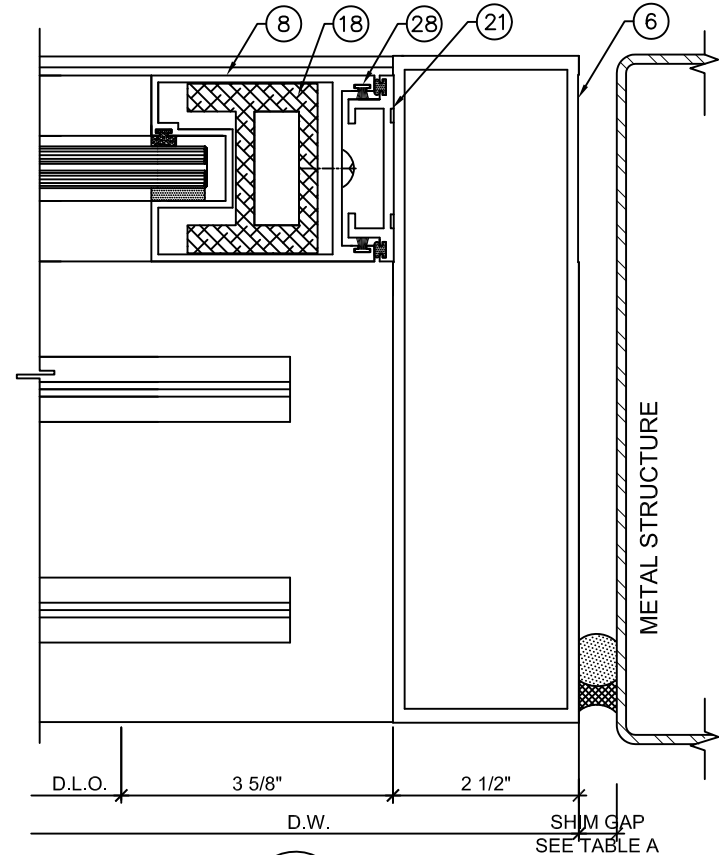
DETAIL  $\frac{E}{D4}$

DETAIL  $\frac{F}{D4}$

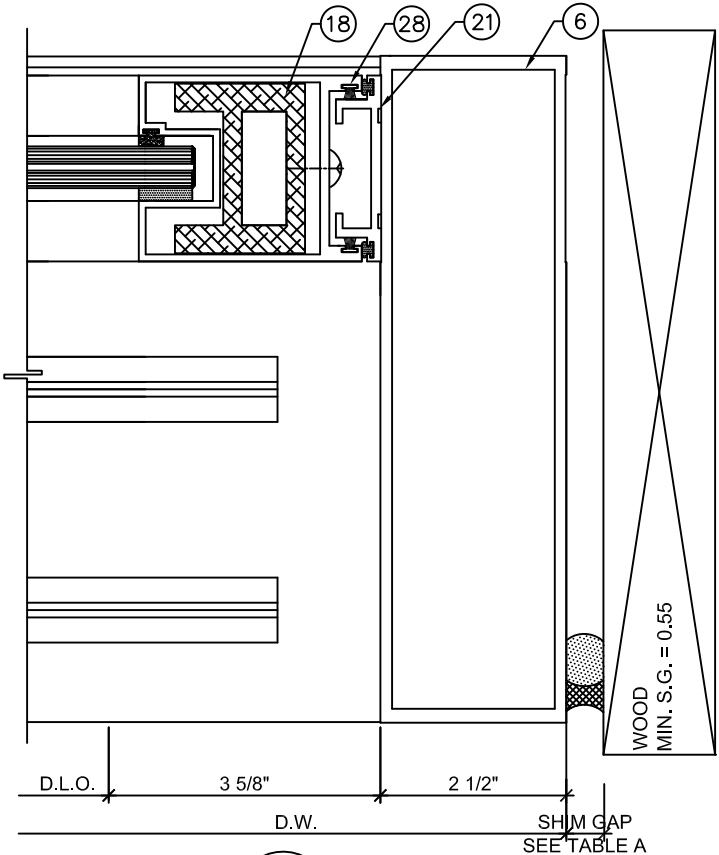
DETAIL  $\frac{G}{D4}$

**TABLE A**

MAX. FRAME HEIGHT	JAMB GAP	
	MIN.	MAX.
90"	5/16"	1-1/2"
96"	5/16"	1-1/2"
102"	5/16"	1-1/2"
108"	5/16"	1-1/2"
114"	5/16"	1-1/2"
120"	3/8"	1-1/2"
126"	3/8"	1-1/2"
128"	3/8"	1-1/2"
132"	3/8"	1-1/2"



DETAIL  $\frac{H}{D4}$



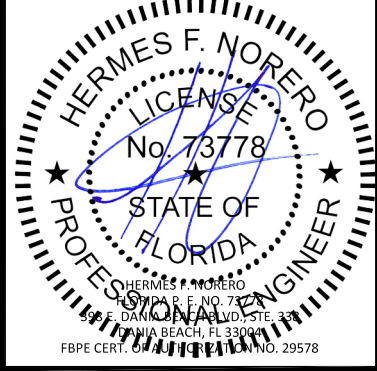
DETAIL  $\frac{I}{D4}$

**DESIGN PRESSURE**  
 +150 / -150 PSF

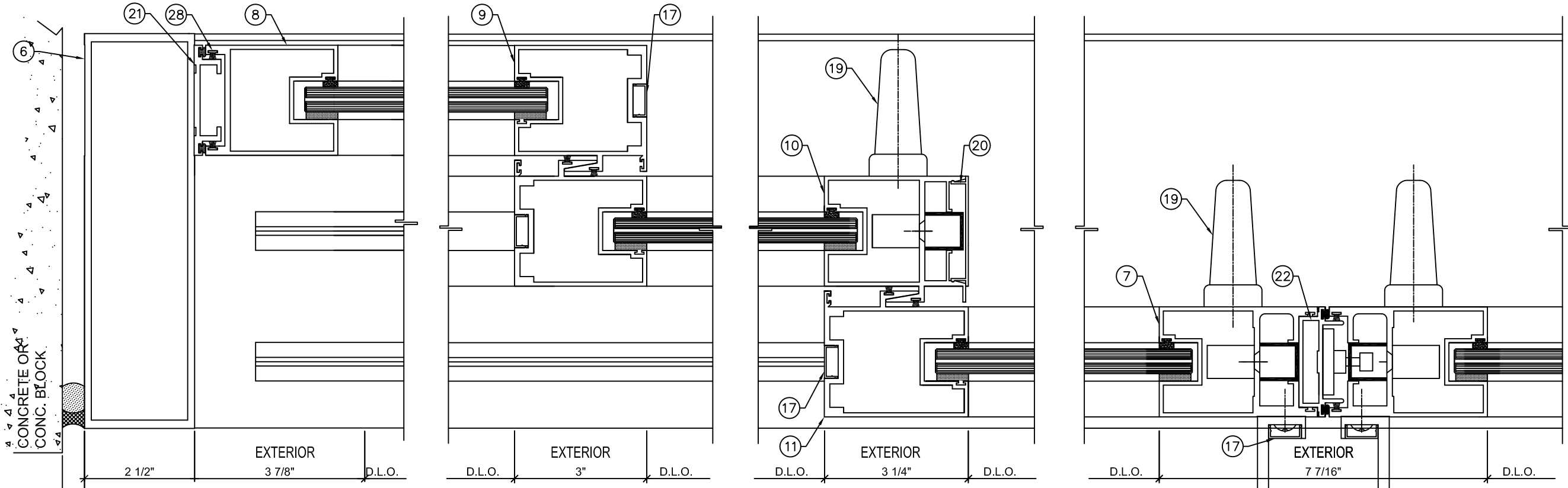
TITLE: **SERIES 2800 LIFT AND SLIDE GLASS DOOR (SMI)**  
 HORIZONTAL SECTIONS  
 325 WEST 74 PLACE,  
 HIALEAH, FL 33014  
 PH: (305)231-1101  
 FAX: (305)231-1103  


REMARKS	BY	DATE

THIS DOCUMENT IS THE PROPERTY OF BUILDING DROPS, INC. AND SHALL NOT BE REPRODUCED IN WHOLE OR PART WITHOUT WRITTEN CONSENT OF BUILDING DROPS, INC. ALTERATIONS, ADDITIONS, HIGHLIGHTING, OR OTHER MARKINGS TO THIS DOCUMENT ARE NOT PERMITTED AND INVALIDATE OUR CERTIFICATION.



DATE: **02.12.16**  
 DWG. BY: **SM**      CHK. BY: **HFN**  
 SCALE: **NTS**  
 DWG. #: **CGS121**  
 SHEET:                      OF 11



DETAIL  $\frac{D}{D5}$

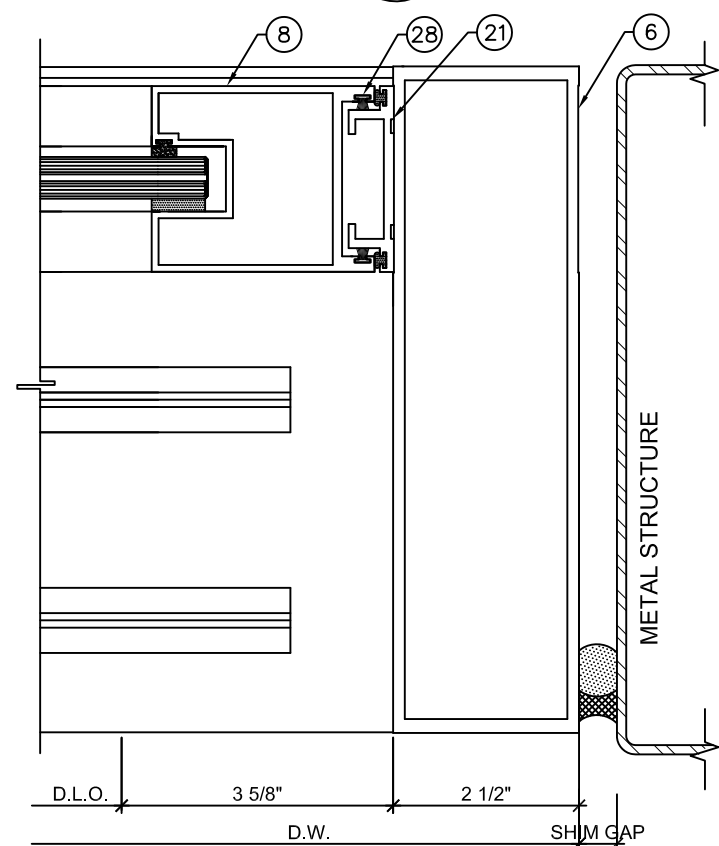
DETAIL  $\frac{E}{D5}$

DETAIL  $\frac{F}{D5}$

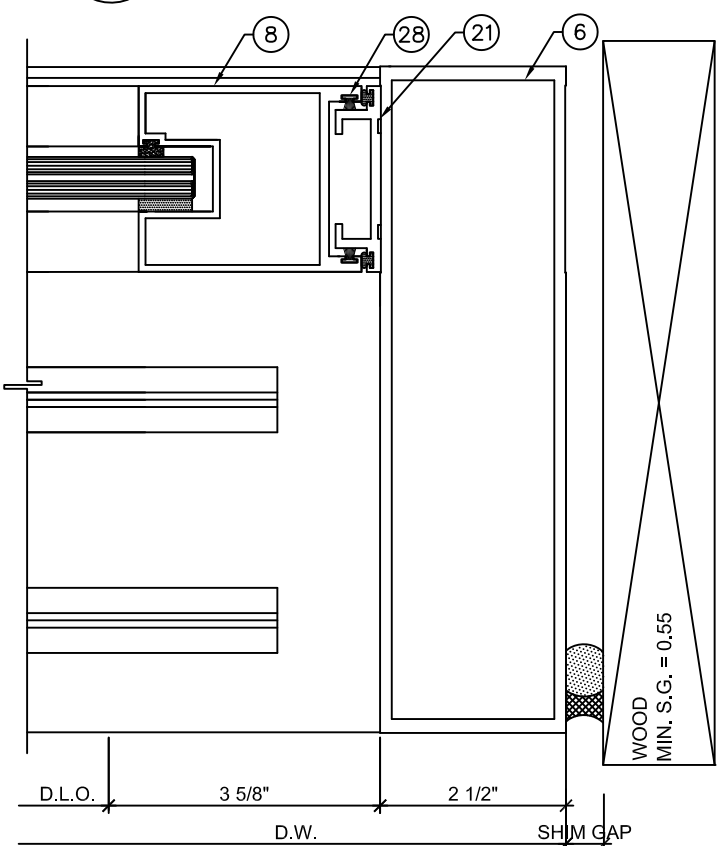
DETAIL  $\frac{G}{D5}$

TABLE A

MAX. FRAME HEIGHT	JAMB GAP	
	MIN.	MAX.
90"	5/16"	1-1/2"
96"	5/16"	1-1/2"
102"	5/16"	1-1/2"
108"	5/16"	1-1/2"
114"	5/16"	1-1/2"
120"	3/8"	1-1/2"
126"	3/8"	1-1/2"
128"	3/8"	1-1/2"
132"	3/8"	1-1/2"



DETAIL  $\frac{H}{D5}$



DETAIL  $\frac{I}{D5}$

DESIGN PRESSURE  
+110 / -110 PSF

PREPARED BY:  
  
**BUILDING DROPS, INC.**  
 398 E. DANIA BEACH BLVD., STE. 338  
 DANIA BEACH, FL 33004  
 PH: (954)399-8478  
 FAX: (954)744.4738  
 WEB: www.buildingdrops.com

TITLE: **SERIES 2800 LIFT AND SLIDE GLASS DOOR (SMI)**  
 HORIZONTAL SECTIONS  
 325 WEST 74 PLACE,  
 HIALEAH, FL 33014  
 PH: (305)231-1101  
 FAX: (305)231-1103  

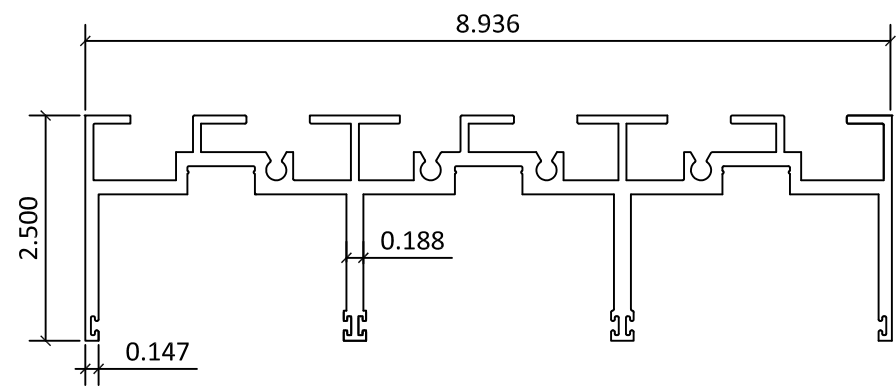

REMARKS	BY	DATE

THIS DOCUMENT IS THE PROPERTY OF BUILDING DROPS, INC. AND SHALL NOT BE REPRODUCED IN WHOLE OR PART WITHOUT WRITTEN CONSENT OF BUILDING DROPS, INC. ALTERATIONS, ADDITIONS, HIGHLIGHTING, OR OTHER MARKINGS TO THIS DOCUMENT ARE NOT PERMITTED AND INVALIDATE OUR CERTIFICATION.

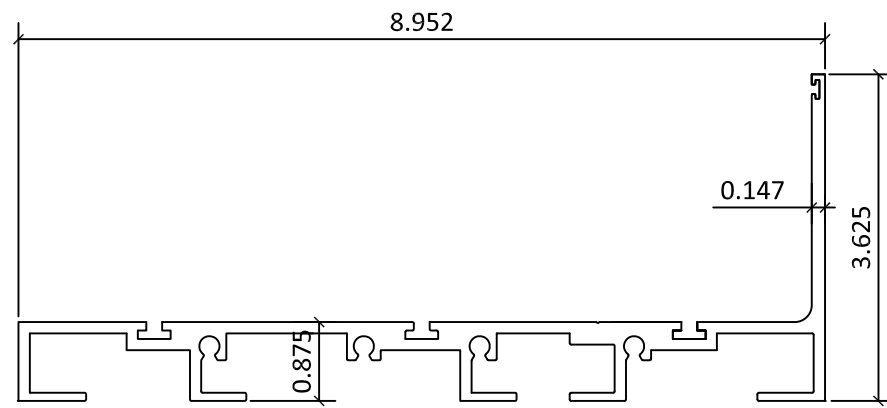


HERMES F. NORERO  
 LICENSED PROFESSIONAL ENGINEER  
 STATE OF FLORIDA  
 No. 73778  
 FBPE CERT. NO. 29578

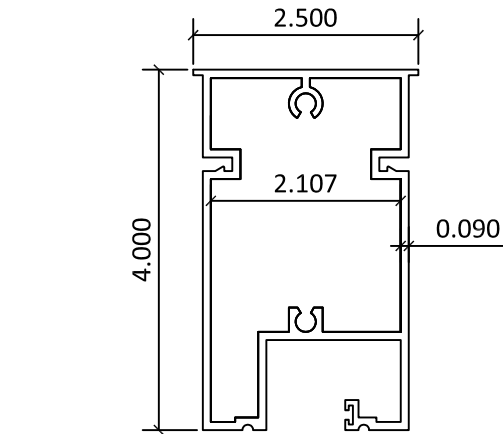
DATE: **02.12.16**  
 DWG. BY: **SM**      CHK. BY: **HFN**  
 SCALE: **NTS**  
 DWG. #: **CGS121**  
 SHEET:                      OF 11



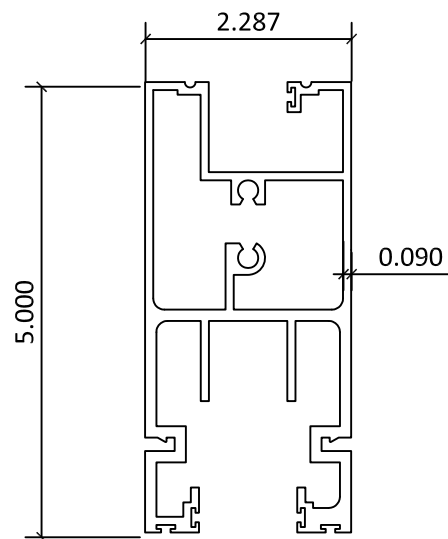
1 HEAD  
2800-16 6005-T5



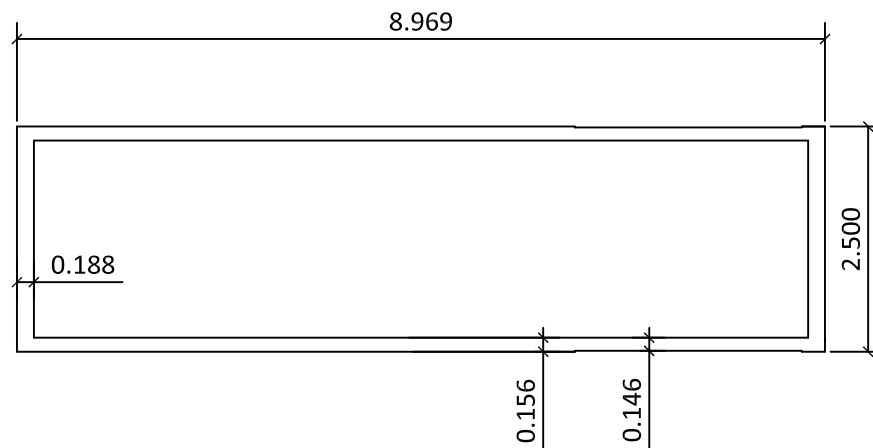
2 SILL  
2800-17 6005-T5



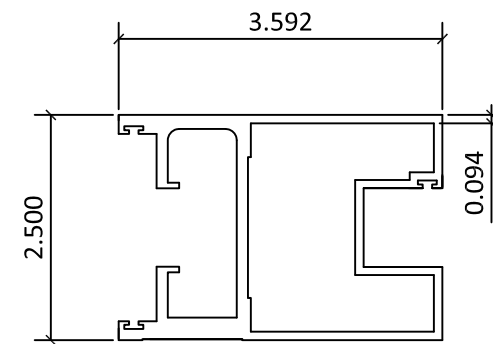
3 TOP RAIL  
2800-08 6005-T5



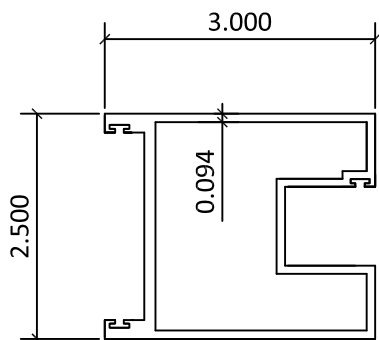
5 BOTTOM RAIL  
2800-09 6005-T5



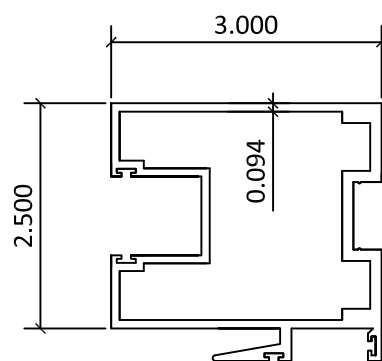
6 JAMB  
2800-18 6005-T5



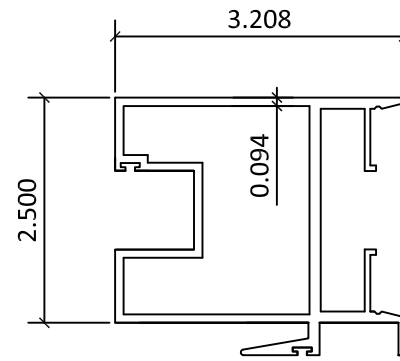
7 LOCK STILE  
2800-10 6005-T5



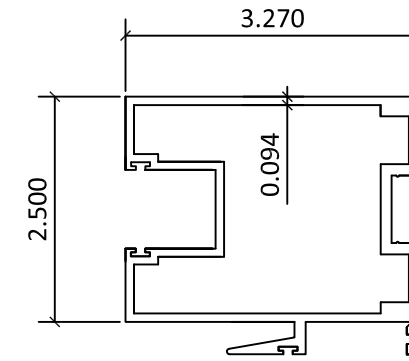
8 FIXED STILE  
2800-13 6005-T5



9 INTERLOCK  
2800-11 6005-T5



10 INTERSTILE  
2800-14 6005-T5



11 INTERLOCK  
2800-12 6005-T5

PREPARED BY:



**BUILDING DROPS, INC.**

398 E. DANIA BEACH BLVD., STE. 338  
DANIA BEACH, FL 33004  
PH: (954)399-8478  
FAX: (954)744.4738  
WEB: www.buildingdrops.com

TITLE: SERIES 2800 LIFT AND SLIDE GLASS DOOR (SMI)

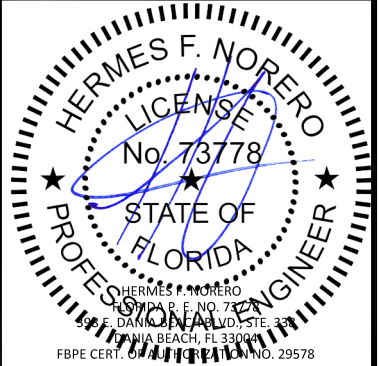
COMPONENTS

325 WEST 74 PLACE,  
HIALEAH, FL 33014  
PH: (305)231-1101  
FAX: (305)231-1103



REMARKS	BY	DATE

THIS DOCUMENT IS THE PROPERTY OF BUILDING DROPS, INC. AND SHALL NOT BE REPRODUCED IN WHOLE OR PART WITHOUT WRITTEN CONSENT OF BUILDING DROPS, INC. ALTERATIONS, ADDITIONS, HIGHLIGHTING, OR OTHER MARKINGS TO THIS DOCUMENT ARE NOT PERMITTED AND INVALIDATE OUR CERTIFICATION.



DATE: 02.12.16

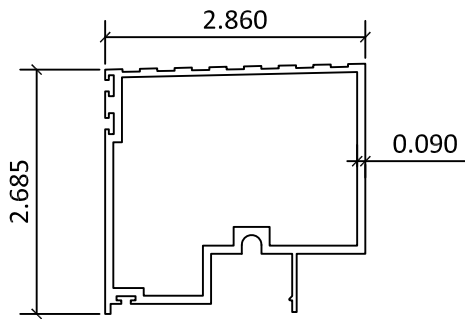
DWG. BY: SM      CHK. BY: HFN

SCALE: NTS

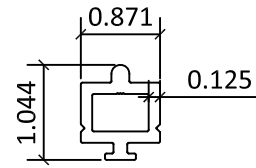
DWG. #: CGS121

SHEET: OF 11

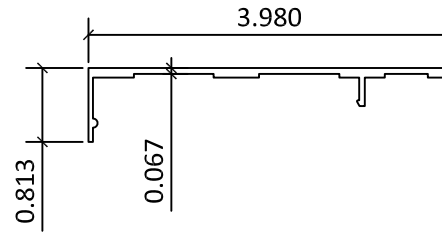




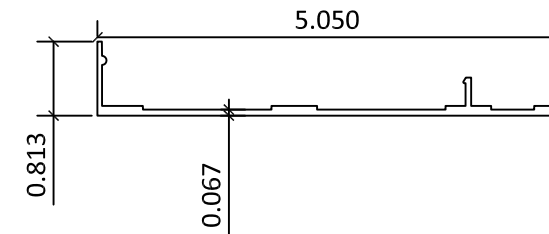
12 THRESHOLD  
2800-24 6063-T6



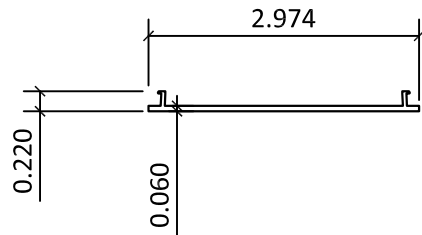
13 SILL TRACK  
2800-05 6005-T5



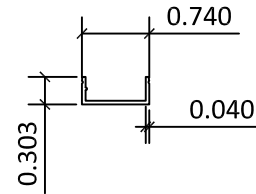
14 TOP COVER  
2800-26 6063-T6



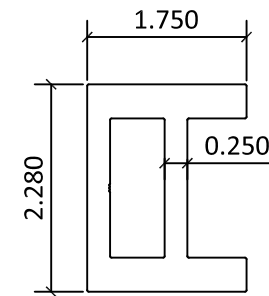
15 BOTTOM COVER  
2800-25 6063-T6



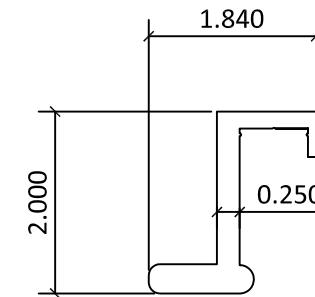
16 COVER HEAD  
2800-40 6063-T6



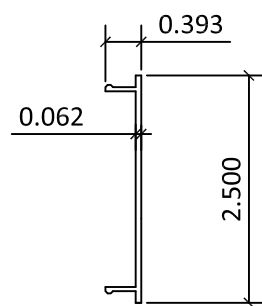
17 HEAD SCREW COVER  
5500-09 6063-T6



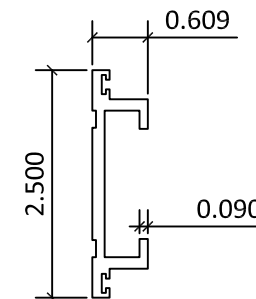
18 REINFORCEMENT  
2800-23 6005-T5



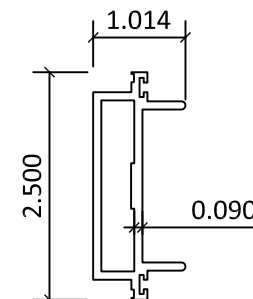
19 HANDLE  
2800-20 6005-T5



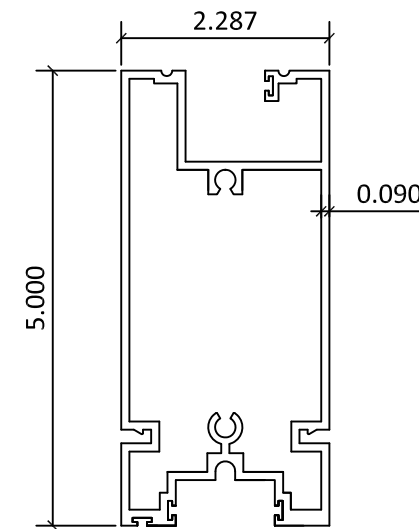
20 INTERSTILE COVER  
2800-27 6063-T6



21 JAMB ADAPTOR  
2800-21 6005-T5



22 ASTRAGAL  
2800-06 6005-T5



33 FIXED PANEL BOTTOM RAIL  
2800-19 6005-T5

PREPARED BY:



**BUILDING DROPS, INC.**

398 E. DANIA BEACH BLVD., STE. 338  
DANIA BEACH, FL 33004  
PH: (954)399-8478  
FAX: (954)744.4738  
WEB: www.buildingdrops.com

TITLE: SERIES 2800 LIFT AND SLIDE GLASS DOOR (SMI)

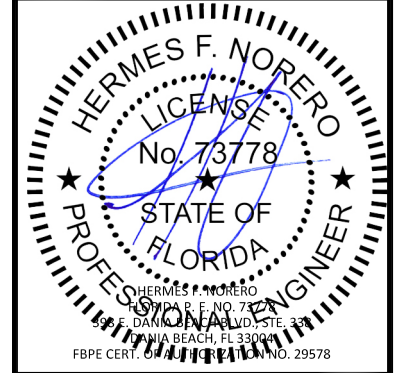
COMPONENTS

325 WEST 74 PLACE,  
HIALEAH, FL 33014  
PH: (305)231-1101  
FAX: (305)231-1103



REMARKS	BY	DATE

THIS DOCUMENT IS THE PROPERTY OF BUILDING DROPS, INC. AND SHALL NOT BE REPRODUCED IN WHOLE OR PART WITHOUT WRITTEN CONSENT OF BUILDING DROPS, INC. ALTERATIONS, ADDITIONS, HIGHLIGHTING, OR OTHER MARKINGS TO THIS DOCUMENT ARE NOT PERMITTED AND INVALIDATE OUR CERTIFICATION.



DATE: 02.12.16

DWG. BY: SM      CHK. BY: HFN

SCALE: NTS

DWG. #: CGS121

SHEET: OF 11

## BILL OF MATERIALS

ITEM #	PROFILE	DESCRIPTION	MATERIAL	MANUFACTURER/REMARKS
1	2800-16	HEAD	ALUM. 6005-T5	-
2	2800-17	SILL	ALUM. 6005-T5	-
3	2800-08	TOP RAIL	ALUM. 6005-T5	-
4	-	NOT USED	-	-
5	2800-09	BOTTOM RAIL	ALUM. 6005-T6	-
6	2800-18	JAMB	ALUM. 6005-T5	-
7	2800-10	LOCK STILE	ALUM. 6005-T5	-
8	2800-13	FIXED STILE	ALUM. 6005-T5	-
9	2800-11	INTERLOCK	ALUM. 6005-T5	-
10	2800-14	INTERSTILE	ALUM. 6005-T5	-
11	2800-12	INTERLOCK	ALUM. 6005-T5	-
12	2800-24	THRESHOLD	ALUM. 6063-T6	-
13	2800-05	SILL TRACK	ALUM. 6005-T5	-
14	2800-26	TOP COVER	ALUM. 6063-T6	-
15	2800-25	BOTTOM COVER	ALUM. 6063-T6	-
16	2800-40	COVER HEAD	ALUM. 6063-T6	-
17	5500-09	HEAD SCREW COVER	ALUM. 6063-T6	-
18	2800-23	REINFORCEMENT	ALUM. 6005-T5	-
19	2800-20	HANDLE	ALUM. 6005-T5	-
20	2800-27	INTERSTILE COVER	ALUM. 6063-T6	-
21	2800-21	JAMB ADAPTOR	ALUM. 6005-T5	-
22	2800-26	ASTRAGAL	ALUM. 6005-T5	-
25	-	1/4" X 3/4" X 4" SETTING BLOCK	SILICONE	-
26	-	DOW CORNING DC790 CONT. PERIMETER SEALANT AND BACKER ROD	SILICONE	DOW CORNING
27	-	GASKET	POLYPROPYLENE / SANTOPRENE	ULTRA FAB
28	-	FIN-SEAL 0.187" X 0.250" HT	-	ULTRA FAB
29	-	DOW CORNING STRUCTURAL SEALANT DC983 OR DC795	SILICONE	DOW CORNING
30	-	BULB GASKET #202	-	ULTRA FAB
31	-	#14 P.H. S.S. SMS. 1" LONG	STAINLESS STEEL	-
32	-	#14 X 20 P.H. S.S. SMS. AT 4" FROM END & 25" O.C. MAX.	STAINLESS STEEL	-
33	2800-19	FIXED PANEL BOTTOM RAIL	ALUM. 6005-T5	-

PREPARED BY:



**BUILDING DROPS, INC.**  
 398 E. DANIA BEACH BLVD., STE. 338  
 DANIA BEACH, FL 33004  
 PH: (954)399-8478  
 FAX: (954)744.4738  
 WEB: www.buildingdrops.com

TITLE: SERIES 2800 LIFT AND SLIDE GLASS DOOR (SMI)

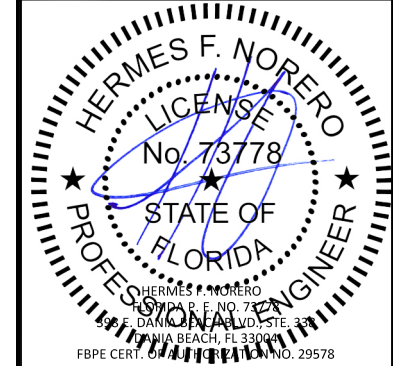
BILL OF MATERIALS

325 WEST 74 PLACE,  
 HIALEAH, FL 33014  
 PH: (305)231-1101  
 FAX: (305)231-1103



REMARKS	BY	DATE

THIS DOCUMENT IS THE PROPERTY OF BUILDING DROPS, INC. AND SHALL NOT BE REPRODUCED IN WHOLE OR PART WITHOUT WRITTEN CONSENT OF BUILDING DROPS, INC. ALTERATIONS, ADDITIONS, HIGHLIGHTING, OR OTHER MARKINGS TO THIS DOCUMENT ARE NOT PERMITTED AND INVALIDATE OUR CERTIFICATION.



DATE: **02.12.16**  
 DWG. BY: **SM**      CHK. BY: **HFN**  
 SCALE: **NTS**  
 DWG. #: **CGS121**  
 SHEET:                      OF 11

10

PREPARED BY:



**BUILDING DROPS, INC.**

398 E. DANIA BEACH BLVD., STE. 338  
DANIA BEACH, FL 33004  
PH: (954)399-8478  
FAX: (954)744.4738  
WEB: www.buildingdrops.com

TITLE: SERIES 2800 LIFT AND SLIDE GLASS DOOR (SMI)

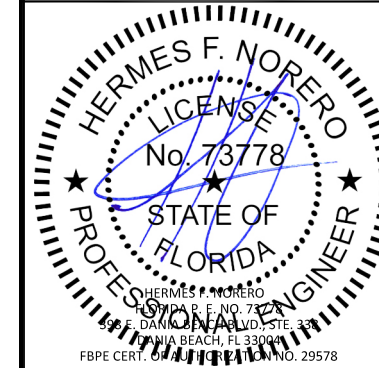
CORNER DETAILS

325 WEST 74 PLACE,  
HIALEAH, FL 33014  
PH: (305)231-1101  
FAX: (305)231-1103

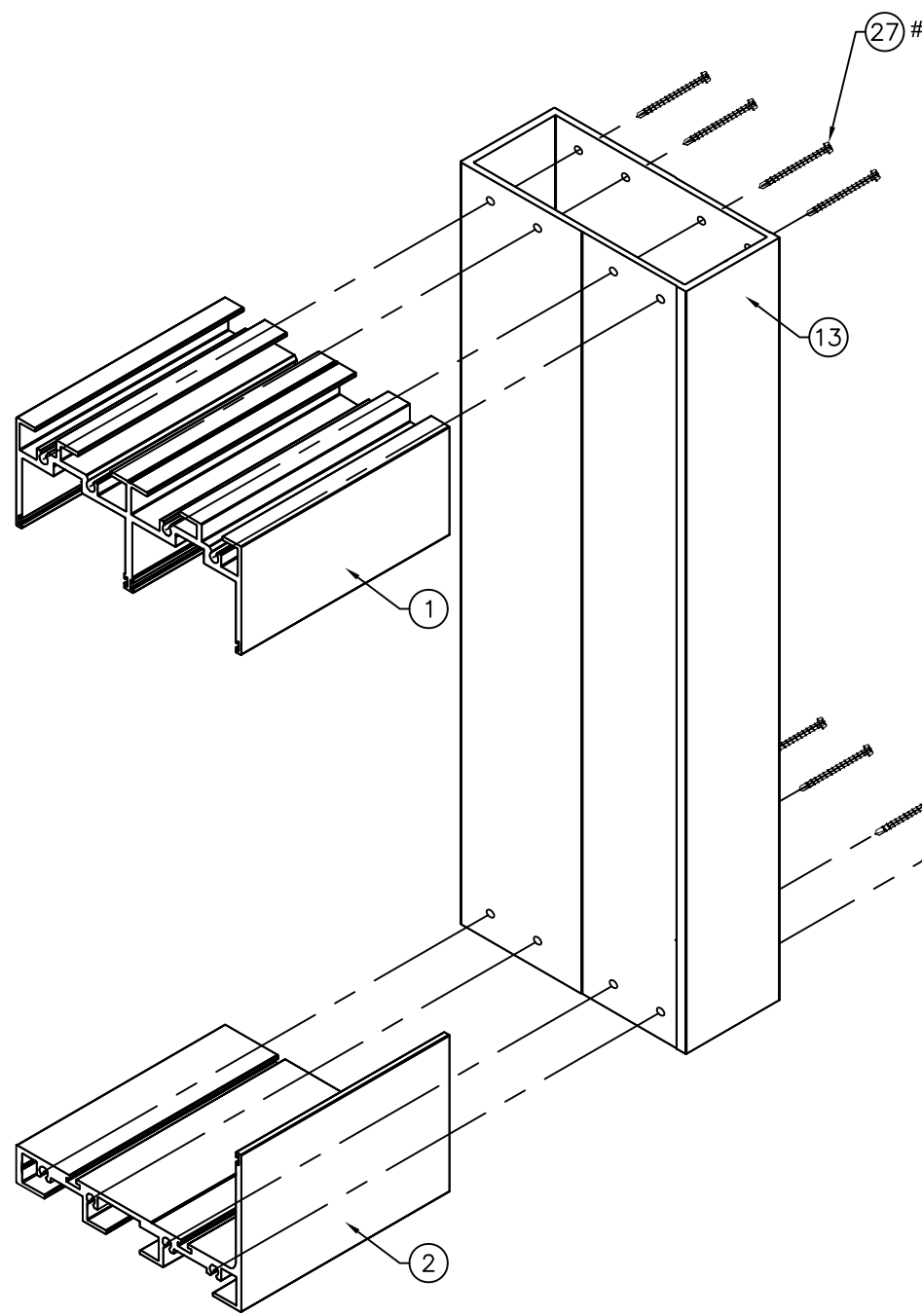


REMARKS	BY	DATE

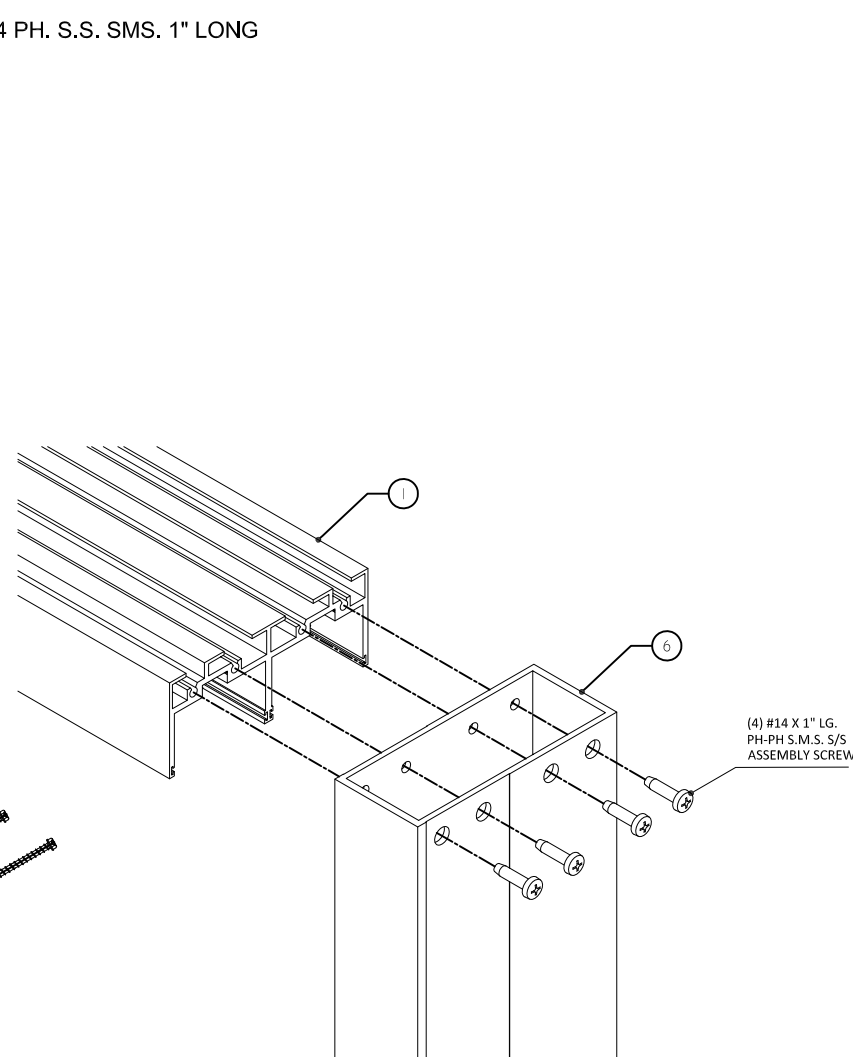
THIS DOCUMENT IS THE PROPERTY OF BUILDING DROPS, INC. AND SHALL NOT BE REPRODUCED IN WHOLE OR PART WITHOUT WRITTEN CONSENT OF BUILDING DROPS, INC. ALTERATIONS, ADDITIONS, HIGHLIGHTING, OR OTHER MARKINGS TO THIS DOCUMENT ARE NOT PERMITTED AND INVALIDATE OUR CERTIFICATION.



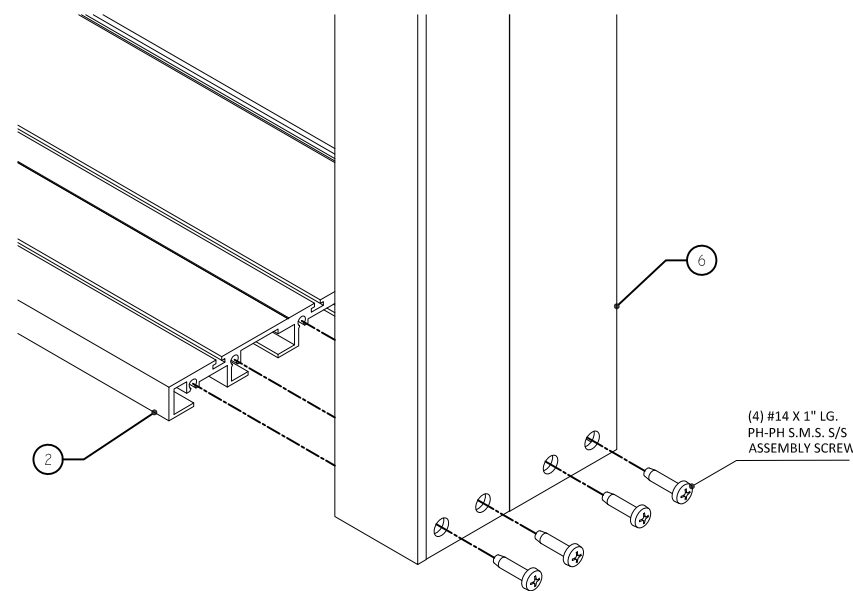
DATE:	02.12.16	
DWG. BY:	SM	CHK. BY: HFN
SCALE:	NTS	
DWG. #:	CGS121	
SHEET:		OF 11



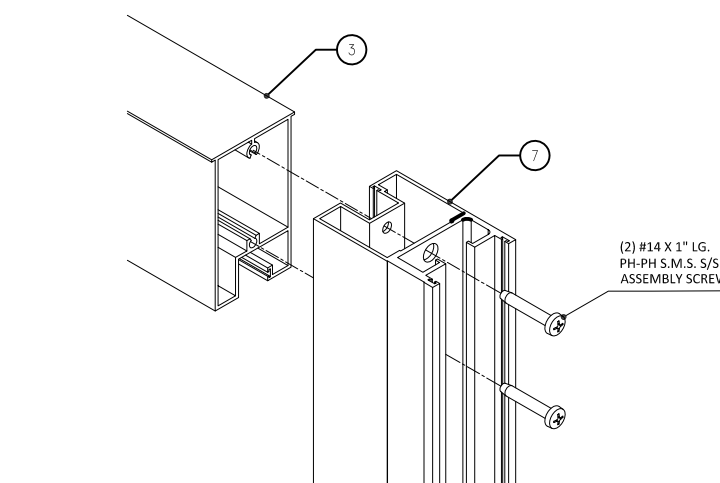
FRAME CORNER ASSEMBLY  
TOP AND BOTTOM



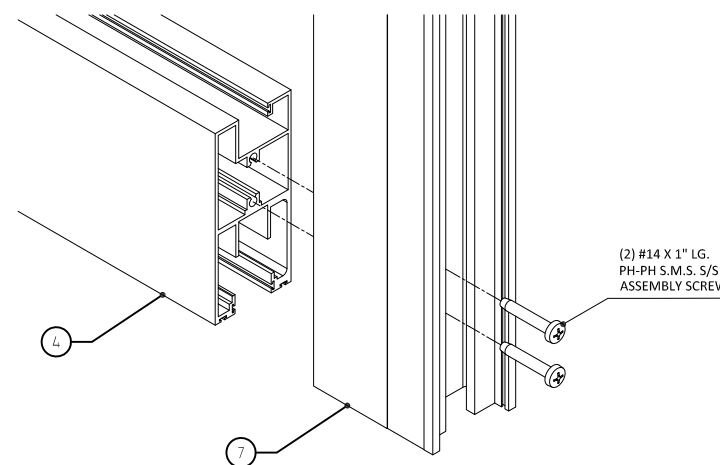
DOOR FRAME TOP CORNER



DOOR FRAME BOTTOM CORNER



DOOR PANEL TOP CORNER



DOOR PANEL BOTTOM CORNER